

WHIZ 2.0

SLEEK AND ARCHITECTURAL
HIGH CEILING SOLUTION

Housing

Diameter : Ø16.24" | Height : 4.4" | Weight : 33 lbs

Material

Housing : High Pressure Die-Cast Aluminum
Lens : High transmittance clear tempered glass

Power Input

120W, 170W, 240W, 300W | 120V, 120-277V, 347-480V

Lumen Output

17,100 lm (120W), 24,200 lm (170W), 34,300 lm (240W), 41,900 lm (300W)

Dimming

Standard 0-10V : dims to 10%
DALI : Dims to 10%

Color Quality

CRI 75, CRI 85

Rated Life

> 100,000 Hours (L70)

Finish



Black



White

Color Temperature



3000K



3500K



4000K



5000K

Optics



25°



40°



60°



WIDE

Warranty

5 Year limited warranty

Listing



DesignLights Consortium™ Qualified Luminaires:

DLC QPL Product ID: S-VKGY5X

Not all product variations listed are DLC qualified.

To ensure that a specific model is qualified, visit www.designlights.org/search

SPECIFICATION SHEET
STATIC WHITE OUTDOOR

Designed For The Ones Who Expect The Extraordinary.

The Whiz 2.0 redefines high ceiling design, with a High Bay look that is unlike any other. This architectural fixture is suitable for mounting heights of 30ft and above and delivers high performance as well as clean aesthetics.

The Whiz 2.0 can be configured for both direct and indirect lighting, is available in Wet Location listed ratings, as well as Archi-Color® color-changing technologies.



METEOR

meteor-lighting.com

SPECIFICATION

PROJECT NAME	DATE
<input type="text"/>	<input type="text"/>
CATALOG #	QUANTITY
<input type="text"/>	<input type="text"/>

The product configurator function on this page works only with the latest version of Chrome or Adobe Acrobat Reader.

<input type="text" value="WS2"/>	MODEL	WHIZ 2.0		
<input type="text"/>	WATTAGE	120 120W 300 300W	170 170W	240 240W
<input type="text"/>	CCT / CRI	308 3000K / CRI 85 507 5000K / CRI 75	358 3500K / CRI 85	408 4000K / CRI 85
<input type="text"/>	VOLTAGE	UNV 120-277V	HVT 347-480V	120 120V
<input type="text"/>	DIMMING	NOD Non-Dimming	STV Standard 0-10V dims to 10%	DALI DALI dims to 10%
<input type="text"/>	BEAM ANGLE	25 25° WD¹ Wide (With diffuser)	40 40°	60 60°
<input type="text"/>	FINISH	BLK Black	WHT White	
<input type="text"/>	MOUNTING	ST2 Stem 2ft UP2 Uplight Stem 2ft AUP4 Adjustable Uplight 4ft	ST4 Stem 4ft UP4 Uplight Stem 4ft	AD10 Adjustable Cable 10ft AUP2 Adjustable Uplight 2ft
<input type="text"/>	RATING	OUT² Outdoor Rating	NAT^{3,4} Natatorium Rating	
<input type="text"/>	ACCESSORIES	DF⁵ Diffuser GVS⁸ Glare Shield Visor	WG⁶ Wire Guard	SNT⁷ Snoot

CLEAR FORM

¹ WD option reduces delivered lumens by ~20%
² Outdoor Rating: Coating and wiring will be changed to high UV resistant and corrosion resistant materials for long-term operation in outdoor environments
³ Natatorium Rating: Coating and sealant will be changed to high corrosion resistant materials to prevent damage from long-term exposure to chlorine vapors
⁴ NAT is not compatible with 25°, 40°, 60°
⁵ DF option reduces delivered lumens by ~12% (~20% with WD)
⁶ WG option reduces delivered lumens by ~14%
⁷ SNT option reduces delivered lumens by ~30%
⁸ GSV option reduces delivered lumens by ~25%

TECHNICAL DETAILS

Electrical

- 17,100 lm (120W), 24,200 lm (170W), 34,300 lm (240W)
41,900 lm (300W)
- Power Input : 120V, 120-277V, 347-480V
- Operating Temperature : -40°F~112°F
- Surge Protection : Built-in is 4KV
- Power Factor Greater than 0.9

LED Features

- Color Temperature : 3000K, 3500K, 4000K, 5000K
- CRI 75, CRI 85
- Long lasting LED luminaire tested under TM21 lumen maintenance L70 @ 100,000 Hrs
- Lumen Maintenance > 0.90 at 60,000 hours

Optics

- Beam Angle : 25°, 40°, 60°, WD (With diffuser)

Advanced Dimming

- Proprietary VX Driver™ is integrated across all dimming options, delivering video flicker-free performance and full compliance with IEEE 1789.
- Standard 0-10V : dims to 10%
- DALI : Dims to 10%

Housing

- Diameter : Ø16.24"
- Height : 4.4"
- Weight : 33 lbs
- Material : High Pressure Die-Cast Aluminum, Tempered Glass
- IK07

Mounting

- Stem Mount 2ft or 4ft
- Adjustable Cable 10ft
- Uplight Mount 2ft, 4ft
- Adjustable Uplight Mount 2ft, 4ft

Warranty

- 5-year limited warranty

Listing

- DLC Premium Listed
- ETL Wet Location Listed
- CE
- UKCA
- FCC
- IP65

PERFORMANCE SUMMARY*

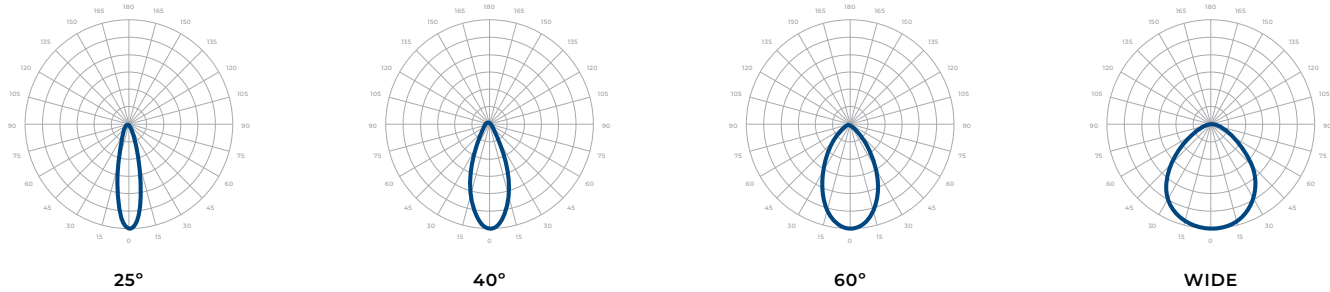
Delivered Lumens				
CCT/WATTAGE	3000K	3500K	4000K	5000K
120W	15,000lm	15,200lm	15,900lm	17,100lm
170W	21,250lm	21,550lm	22,600lm	24,200lm
240W	30,000lm	30,400lm	31,920lm	34,300lm
300W	38,300lm	37,160lm	39,000lm	41,900lm

*Beam Angle: 40° *Tolerance ±8%

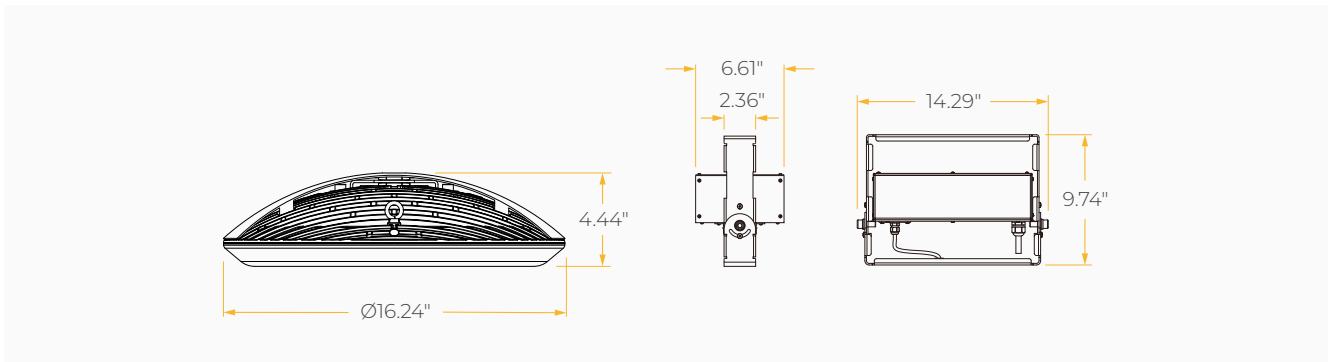
Current Consumption				
WATTAGE / VOLT	120V	277V	347V	480V
120W	1.1A	0.48A	0.38A	0.28A
170W	1.56A	0.68A	0.54A	0.39A
240W	2.02A	0.87A	0.76A	0.55A
300W	2.75A	1.19A	0.95A	0.69A

PHOTOMETRICS

Below is a typical photometric representation of the Whiz 2.0 fixture. Please download IES files to ensure exact photometric value.

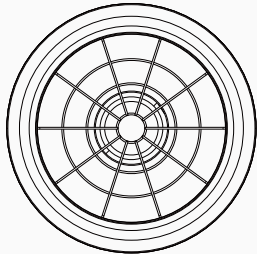


DIMENSIONS

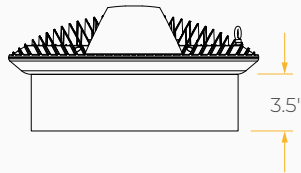


ACCESSORY

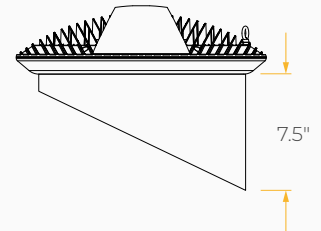
Wire Guard



Snoot

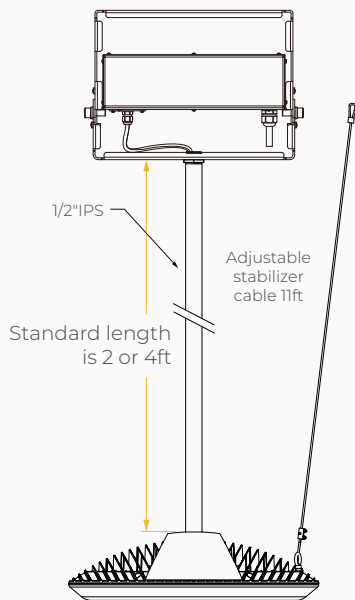


Glare Shield Visor

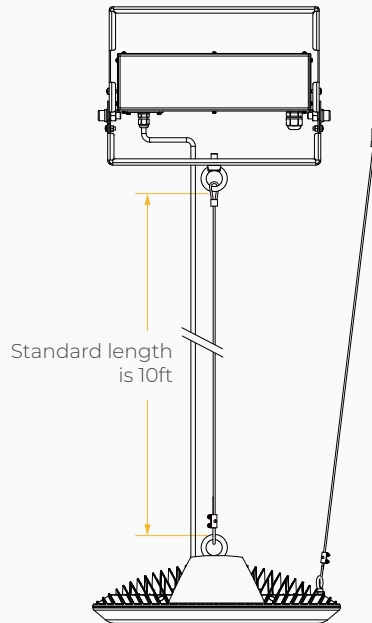


MOUNTING OPTIONS

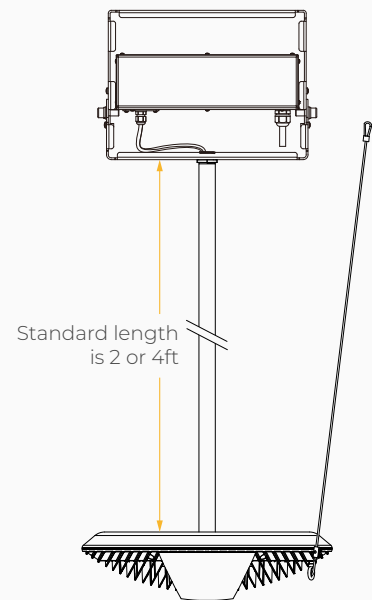
Stem Mount



Adjustable Aircraft Cable



Uplight Mount



**Adjustable Uplight
(45° Tilt on each side)**

